

**Display Elektronik GmbH**

# DATA SHEET

**LCD MODULE**

## **DEM 08202 SYH-LY**

**Product Specification**

**Version : 1.1.0**

**29/Dec./2007**

**DOCUMENT REVISION HISTORY**

<b>Version</b>	<b>DATE</b>	<b>DESCRIPTION</b>	<b>CHANGED BY</b>
0	20.07.2005	First issue	MHO
1.1.0	29.11.2007	New IC	MH

## **CONTENTS**

- 1. Functions & Features**
- 2. Mechanical specifications**
- 3. Block diagram**
- 4. Dimensional Outline**
- 5. Pin description**
- 6. Maximum absolute limit**
- 7. Electrical characteristics**
- 8. Backlight drawing & specification**
- 9. Electro-Optical characteristics**
- 10. Timing characteristics**
- 11. Control and display command**
- 12. Font Characteristic**
- 13. Precaution for LCD/LCM**

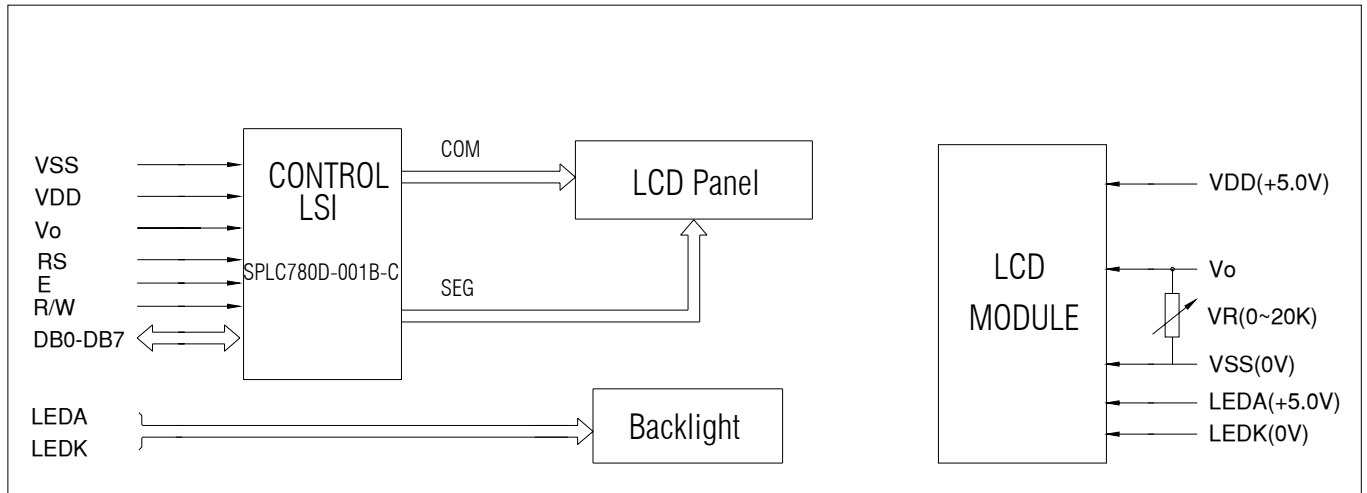
### 1. FUNCTIONS & FEATURES

- 1.1. Display Format : 8x2 Characters
- 1.2. LCD Mode : STN, Positive, Transflective, Yellow-Green
- 1.3. Viewing Direction : 6 o'clock
- 1.4. Driving Scheme : 1/16 Duty , 1/5 Bias
- 1.5. Power Supply Voltage (V<sub>DD</sub>) : 5.0 Volt (typ.)
- 1.6. LCD Driving Voltage(V<sub>lcd</sub>) : 4.5 Volt (typ.)
- 1.7. Operation Temperature : -20 ~ 70 °C
- 1.8. Storage Temperature : -30 ~ 80 °C
- 1.9. Backlight Color : LED, Yellow-Green

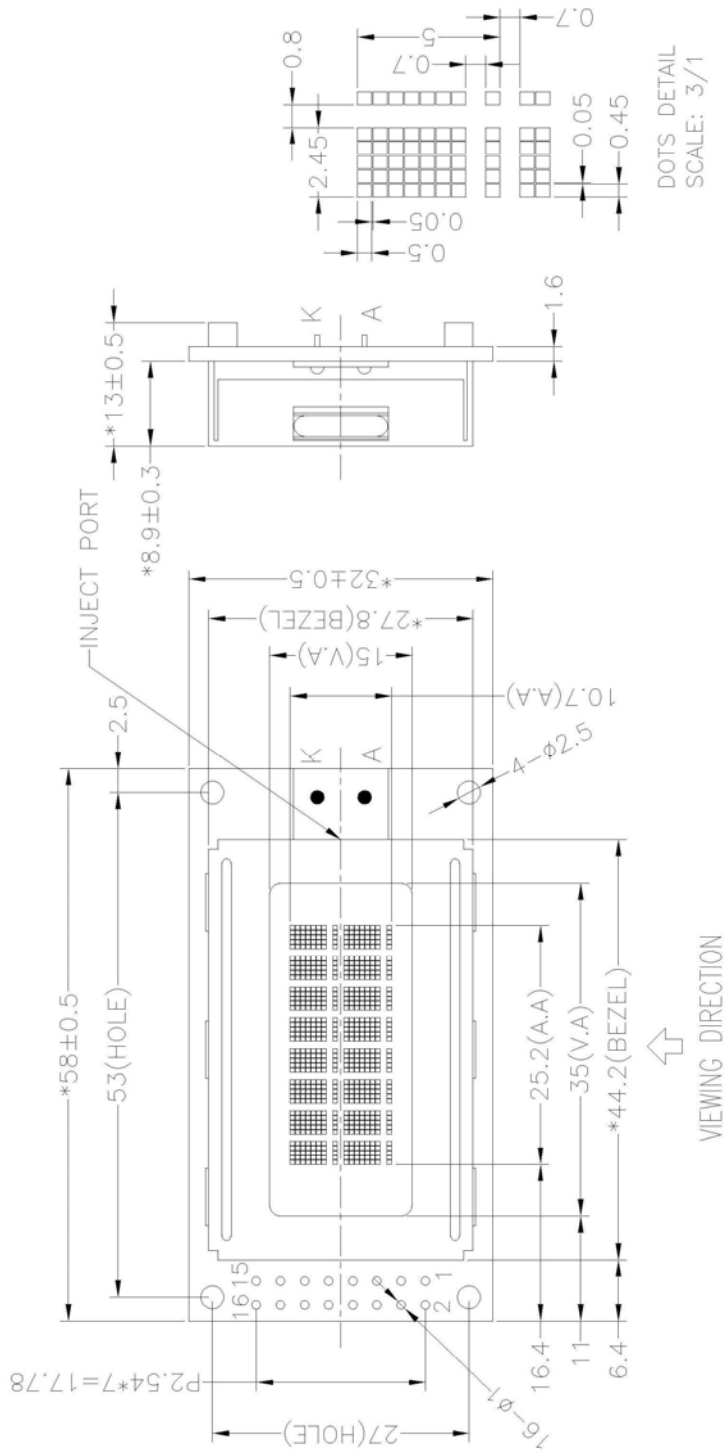
### 2. MECHANICAL SPECIFICATIONS

- 2.1. Module Size : 58.00 x 32.00 x 13.00 mm
- 2.2. Viewing Area : 35.00 x 15.00 mm
- 2.3. Character Pitch : 3.25 x 5.70 mm
- 2.4. Character Size : 2.45 x 5.00 mm
- 2.5. Dot Pitch : 0.50 x 0.55 mm
- 2.6. Dot Size : 0.45 x 0.50 mm

### 3. BLOCK DIAGRAM



### 4. DIMENSIONAL OUTLINE



## 5. PIN DESCRIPTION

No.	Symbol	Function
1	V <sub>SS</sub>	Power ground (0V)
2	V <sub>DD</sub>	Power supply for Logic(+5V)
3	V <sub>0</sub>	Power supply for LCD drive
4	RS	Register selection (H: Data register , L :Instruction register)
5	RW	Read/write selection (H: Read , L: Write)
6	E	Enable signal.
7-14	DB0~DB7	Data Bus line
15	LED+(A)	Power supply for Backlight (+5Volt)
16	LED-(K)	Power supply for Backlight.

## 6. MAXIMUM ABSOLUTE LIMIT

Item	Symbol	MIN	MAX	Unit
Supply Voltage for Logic	V <sub>DD</sub>	-0.3	7.0	V
Supply Voltage for LCD	V <sub>0</sub>	V <sub>DD</sub> -12.0	V <sub>DD</sub> +0.3	V
Input Voltage	V <sub>in</sub>	-0.3	V <sub>DD</sub> +0.3	V
Supply Current for Backlight	I <sub>F</sub> (Ta = 25°C)	---	120	mA
Reverse Voltage for Backlight	V <sub>R</sub> (Ta = 25°C)	---	10	V
Operating Temperature	T <sub>op</sub>	-20	70	°C
Storage Temperature	T <sub>st</sub>	-30	80	°C

## 7. ELECTRICAL CHARACTERISTICS

Item	Symbol	Condition	Min	Typ	Max	Unit
Supply Voltage for Logic	V <sub>DD</sub> -V <sub>SS</sub>	Ta = 25°C	4.8	5.0	5.2	V
Input High Voltage	V <sub>IH</sub>	Ta = 25°C	0.7V <sub>DD</sub>	---	V <sub>DD</sub>	V
Input Low Voltage	V <sub>IL</sub>	Ta = 25°C	-0.3	---	0.2 V <sub>DD</sub>	V
Output High Voltage(TTL)	V <sub>OH</sub>	Ta = 25°C	0.75V <sub>DD</sub>	---	---	V
Output Low Voltage(TTL)	V <sub>OL</sub>	Ta = 25°C	---	---	0.2V <sub>DD</sub>	V
Supply Current	I <sub>DD</sub>	Ta = 25°C	---	---	3.0	mA

## 8. BACK LIGHT CHARACTERISTICS

LCD Module with LED Backlight (Lightbox, Array-type)  
**ELECTRICAL RATINGS**

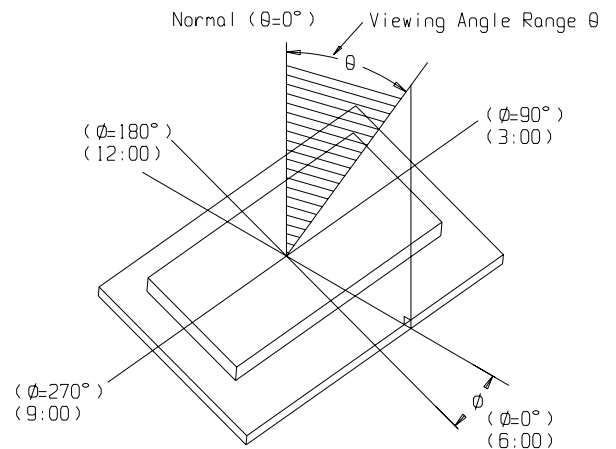
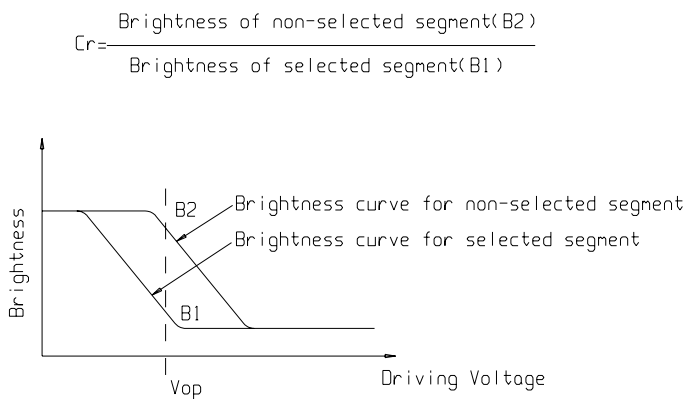
Ta = 25°C

Item	Symbol	Condition	Min	Typ	Max	Unit
Forward Voltage	VF	IF=60mA	4.0	4.2	4.4	V
Reverse Current	IR	VR=10V	---	600	---	uA
Luminous Intensity (Without LCD)	IV	IF=60mA	170	230	---	Cd/m <sup>2</sup>
Wave length	λρ	IF=60mA	569	572	575	nm
Color	Yellow-Green					

## 9. ELECTRO-OPTICAL CHARACTERISTICS

(V<sub>OP</sub> = 4.5V, Ta = 25°C)

Item	Symbol	Condition	Min	Typ	Max	Unit
Operating Voltage	Vop	Ta = -20°C	4.9	5.1	5.3	V
		Ta = 25°C	4.2	4.5	4.8	
		Ta = 70°C	3.7	3.9	4.0	
Response time	Tr	Ta = 25°C	---	185	---	ms
	Tf		---	200	---	ms
Contrast	Cr	Ta = 25°C	---	4	---	---
Viewing angle range	θ	Cr ≥ 2	-40	---	+40	deg
	φ		-40	---	+40	deg



### 10. TIMING CHARACTERISTICS

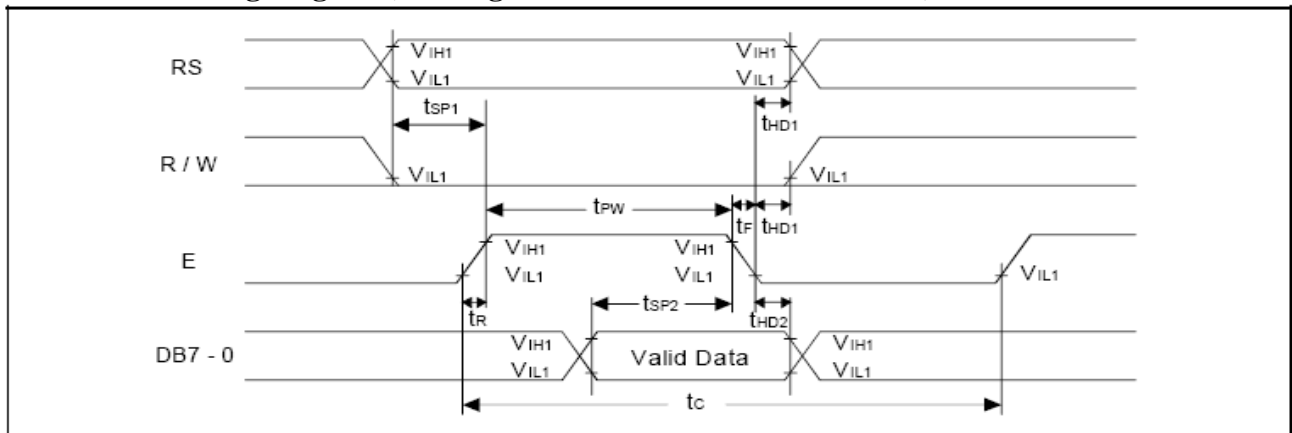
Write mode(writing data from MPU to SPLC780D)

Characteristics	Symbol	Limit			Unit	Test Condition
		Min.	Typ.	Max.		
E Cycle Time	$t_c$	1000	-	-	ns	Pin E
E Pulse Width	$t_{pw}$	450	-	-	ns	Pin E
E Rise/Fall Time	$t_r, t_f$	-	-	25	ns	Pin E
Address Setup Time	$t_{sp1}$	60	-	-	ns	Pins: RS, R/W, E
Address Hold Time	$t_{hd1}$	20	-	-	ns	Pins: RS, R/W, E
Data Setup Time	$t_{sp2}$	195	-	-	ns	Pins: DB0 - DB7
Data Hold Time	$t_{hd2}$	10	-	-	ns	Pins: DB0 - DB7

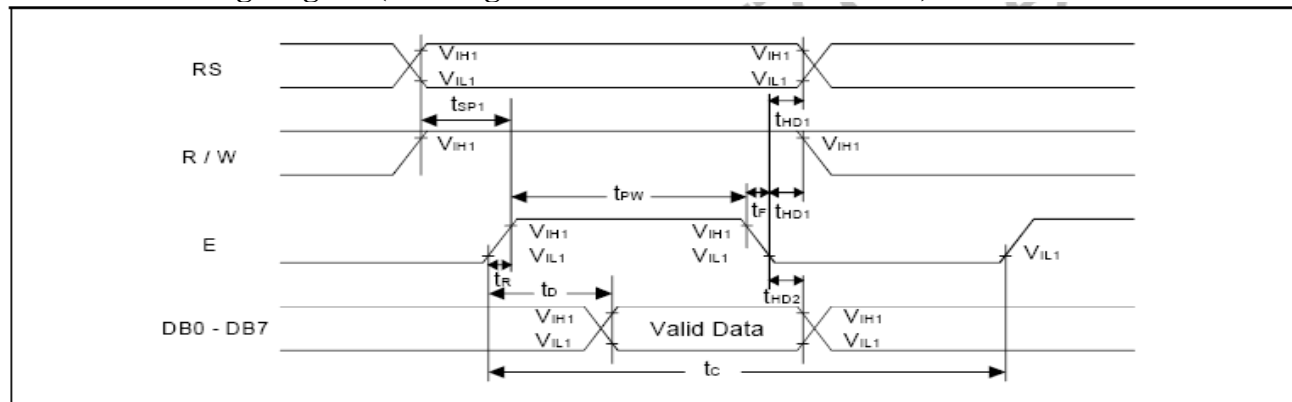
Read mode( reading data from SPLC780D to MPU)

Characteristics	Symbol	Limit			Unit	Test Condition
		Min.	Typ.	Max.		
E Cycle Time	$t_c$	1000	-	-	ns	Pin E
E Pulse Width	$t_w$	450	-	-	ns	Pin E
E Rise/Fall Time	$t_r, t_f$	-	-	25	ns	Pin E
Address Setup Time	$t_{sp1}$	60	-	-	ns	Pins: RS, R/W, E
Address Hold Time	$t_{hd1}$	20	-	-	ns	Pins: RS, R/W, E
Data Output Delay Time	$t_d$	-	-	360	ns	Pins: DB0 - DB7
Data hold time	$t_{hd2}$	5.0	-	-	ns	Pin DB0 - DB7

Write mode timing diagram(Writing data from MPU to SPLC780D)



Read mode timing diagram(Reading data from SPLC780D to MPU)





## 11. CONTROL AND DISPLAY COMMAND

Instruction	Instruction Code										Description	Execution time (Temp = 25°C)		
	RS	RW	DB7	DB6	DB5	DB4	DB3	DB2	DB1	DB0		Fosc= 190KHz	Fosc= 270KHz	Fosc= 350KHz
Clear Display	0	0	0	0	0	0	0	0	0	1	Write "20H" to DDRAM and set DDRAM address to "00H" from AC	2.16ms	1.52ms	1.18ms
Return Home	0	0	0	0	0	0	0	0	1	-	Set DDRAM address to "00H" from AC and return cursor to its original position if shifted. The contents of DDRAM are not changed.	2.16ms	1.52ms	1.18ms
Entry Mode Set	0	0	0	0	0	0	0	1	I/D	S	Assign cursor moving direction and enable the shift of entire display	53μs	38μs	29μs
Display ON/OFF Control	0	0	0	0	0	0	1	D	C	B	Set display (D), cursor(C), and blinking of cursor(B) on/off control bit.	53μs	38μs	29μs
Cursor or Display Shift	0	0	0	0	0	1	S/C	R/L	-	-	Set cursor moving and display shift control bit, and the direction, without changing of DDRAM data.	53μs	38μs	29μs
Function Set	0	0	0	0	1	DL	N	F	-	-	Set interface data length (DL: 8-bit/4-bit), numbers of display line (N: 2-line/1-line) and, display font type (F:5x10 dots/5x8 dots)	53μs	38μs	29μs
Set CGRAM Address	0	0	0	1	AC5	AC4	AC3	AC2	AC1	AC0	Set CGRAM address in address counter.	53μs	38μs	29μs
Set DDRAM Address	0	0	1	AC6	AC5	AC4	AC3	AC2	AC1	AC0	Set DDRAM address in address counter	53μs	38μs	29μs
Read Busy Flag and Address Counter	0	1	BF	AC6	AC5	AC4	AC3	AC2	AC1	AC0	Whether during internal operation or not can be known by reading BF. The contents of address counter can also be read.			
Write Data to RAM	1	0	D7	D6	D5	D4	D3	D2	D1	D0	Write data into internal RAM (DDRAM/CGRAM).	53μs	38μs	29μs
Read Data from RAM	1	1	D7	D6	D5	D4	D3	D2	D1	D0	Read data from internal RAM (DDRAM/CGRAM).	53μs	38μs	29μs

Note1: "-": don't care

Note2: In the operation condition under -20°C ~ 75°C, the maximum execution time for majority of instruction sets is 100us, except two instructions, "Clear Display" and "Return Home", in which maximum execution time can take up to 4.1ms.

### 12. Font Characteristic

Upper 4 bit Lower 4 bit	LLLL	LLLH	LLHL	LLHH	LHLL	LHLH	LHHL	LHHH	HLLL	HLLH	HLHL	HLLH	HLHL	HHLH	HHLH	HHLH			
LLLL				0@P`P										一	夕	三	×	ρ	
LLLH			!	1AQa4										。	ア	キ	△	△	g
LLHL			"	2BRbr										「	イ	ウ	×	ρ	θ
LLHH			#	3CScE										」	ウ	テ	E	E	×
LHLL			\$	4DTdt										√	エ	ト	カ	μ	Ω
LHLH			%	5EUeu										・	オ	オ	ユ	ε	Ω
LHHH			&	6FVfv										ヲ	カ	ニ	ヨ	ρ	Σ
LHHH			'	7GWgw										ア	キ	ヌ	ラ	g	π
HLLL			(	8HXhx										イ	ウ	ネ	リ	フ	又
HLLH			)	9IYiy										ウ	ケ	ル	ル	フ	γ
HLHL			*	:JZjz										士	コ	シ	レ	j	キ
HLHH			+	:Kkκ										キ	サ	セ	ロ	×	π
HHLL			,	<Ll∣										キ	シ	フ	フ	キ	π
HHLH			-	=Mm&										ユ	ヌ	シ	シ	キ	π
HHLH			.	>N^n*										ヨ	セ	ホ	シ	π	
HHHH			/	?O_oe										ウ	ウ	マ	マ	δ	■

### **13 Precaution for using LCD/LCM**

LCD/LCM is assembled and adjusted with a high degree of precision. Do not attempt to make any alteration or modification. The followings should be noted.

#### **General Precautions:**

1. LCD panel is made of glass. Avoid excessive mechanical shock or applying strong pressure onto the surface of display area.
2. The polarizer used on the display surface is easily scratched and damaged. Extreme care should be taken when handling. To clean dust or dirt off the display surface, wipe gently with cotton, or other soft material soaked with isopropyl alcohol, ethyl alcohol or trichlorotrifluoroethane, do not use water, ketone or aromatics and never scrub hard.
3. Do not tamper in any way with the tabs on the metal frame.
4. Do not make any modification on the PCB without consulting Display Elektronik.
5. When mounting a LCM, make sure that the PCB is not under any stress such as bending or twisting. Elastomer contacts are very delicate and missing pixels could result from slight dislocation of any of the elements.
6. Avoid pressing on the metal bezel, otherwise the elastomer connector could be deformed and lose contact, resulting in missing pixels and also cause rainbow on the display.
7. Be careful not to touch or swallow liquid crystal that might leak from a damaged cell. Any liquid crystal adheres to skin or clothes, wash it off immediately with soap and water.

#### **Static Electricity Precautions:**

1. CMOS-LSI is used for the module circuit; therefore operators should be grounded whenever he/she comes into contact with the module.
2. Do not touch any of the conductive parts such as the LSI pads; the copper leads on the PCB and the interface terminals with any parts of the human body.
3. Do not touch the connection terminals of the display with bare hand; it will cause disconnection or defective insulation of terminals.
4. The modules should be kept in anti-static bags or other containers resistant to static for storage.
5. Only properly grounded soldering irons should be used.
6. If an electric screwdriver is used, it should be grounded and shielded to prevent sparks.
7. The normal static prevention measures should be observed for work clothes and working benches.
8. Since dry air is inductive to static, a relative humidity of 50-60% is recommended.

#### **Soldering Precautions:**

1. Soldering should be performed only on the I/O terminals.
2. Use soldering irons with proper grounding and no leakage.
3. Soldering temperature:  $280^{\circ}\text{C} \pm 10^{\circ}\text{C}$
4. Soldering time: 3 to 4 second.
5. Use eutectic solder with resin flux filling.
6. If flux is used, the LCD surface should be protected to avoid spattering flux.
7. Flux residue should be removed.

**Operation Precautions:**

1. The viewing angle can be adjusted by varying the LCD driving voltage  $V_o$ .
2. Since applied DC voltage causes electro-chemical reactions, which deteriorate the display, the applied pulse waveform should be a symmetric waveform such that no DC component remains. Be sure to use the specified operating voltage.
3. Driving voltage should be kept within specified range; excess voltage will shorten display life.
4. Response time increases with decrease in temperature.
5. Display color may be affected at temperatures above its operational range.
6. Keep the temperature within the specified range usage and storage. Excessive temperature and humidity could cause polarization degradation, polarizer peel-off or generate bubbles.
7. For long-term storage over 40°C is required, the relative humidity should be kept below 60%, and avoid direct sunlight.

**Limited Warranty**

Our LCDs and modules are not consumer products, but may be incorporated by DISPLAY ELEKTRONIK's customers into consumer products or components thereof, DISPLAY ELEKTRONIK does not warrant that its LCDs and components are fit for any such particular purpose.

1. The liability of DISPLAY ELEKTRONIK is limited to repair or replacement on the terms set forth below. DISPLAY ELEKTRONIK will not be responsible for any subsequent or consequential events or injury or damage to any personnel or user including third party personnel and/or user. Unless otherwise agreed in writing between DISPLAY ELEKTRONIK and the customer, DISPLAY ELEKTRONIK will only replace or repair any of its LCD which is found defective electrically or visually when inspected in accordance with DISPLAY ELEKTRONIK general LCD inspection standard . (Copies available on request)
2. No warranty can be granted if any of the precautions state in handling liquid crystal display above has been disregarded. Broken glass, scratches on polarizer mechanical damages as well as defects that are caused accelerated environment tests are excluded from warranty.
3. In returning the LCD/LCM, they must be properly packaged; there should be detailed description of the failures or defect.