

# USB Cables USB 3.2

Connection cables A male on C male



### SPECIFICATION:

Insulation Resistance (Min.): 10 MΩ  
 Contact Resistance (Max.): 3 Ω  
 Transmission Rate: 10 Gbps

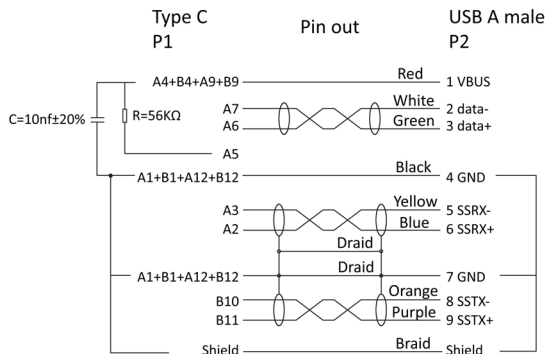
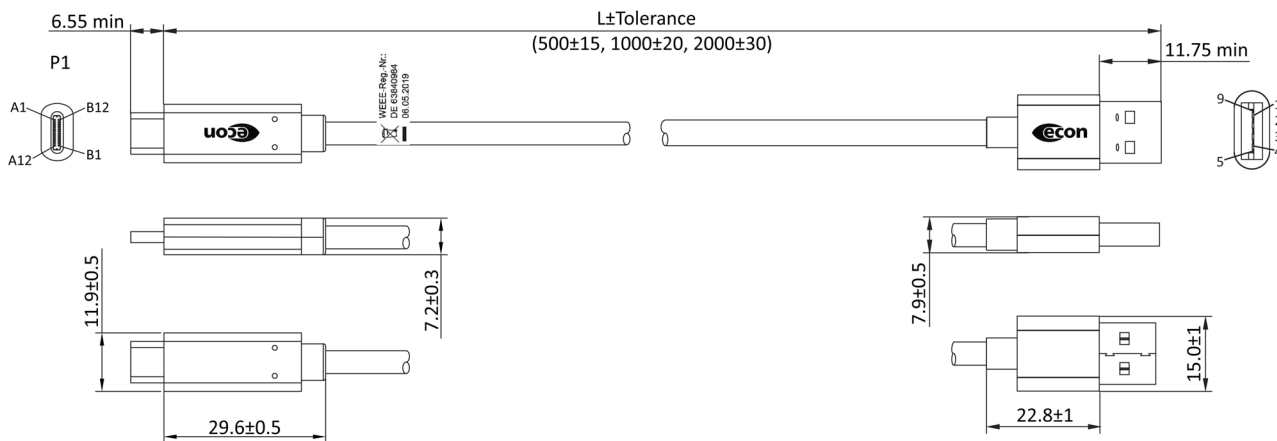
### MATERIAL:

Colour: black  
 Diameter: 4.2 mm  
 Material (Sheath): TPE (thermoplastic elastomer)  
 Material (Housing): PVC  
 Material (Insulation): PBT  
 Material (Contact): gold plated  
 Material (Shell): nickel plated  
 Cable: (32AWG x 1P+E+AL+Mylar) x 2P + 24AWG x 2C + 32AWG x 1P +AL+D+B



### HANDLING:

Packaging: Bag, single-packed  
 Note: 100 % open short & miss wire test



Logo white printing



### Order Information

Identifier:	Length:	Colour:
<b>U31CA</b>	<b>#</b>	<b>SW</b>
USB 3.2 connection cable USB A male on USB C male	<b>05:</b> 0.5 m	black
	<b>1:</b> 1.0 m	
	<b>2:</b> 2.0 m	