



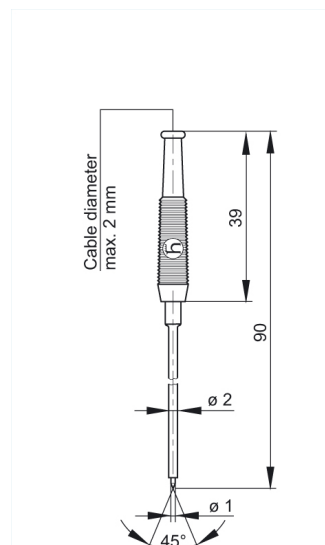
PRUEF 1 schwarz/black

Industrial Connectors:Measuring and Testing Equipment:Test probes:0.64 mm system

Product description

Description	Miniature test probe for sampling extremely small measuring points. Shatter-proof grip, may be unscrewed. The stainless steel tip easily penetrates insulation and oxide layers. Solder connection up to 0.5 mm ² .
Type	PRUEF 1 schwarz/black
Order No.	931 376-100
System	unrelated to system
Housing Color	black
Other standard types	red color, order no. 931 376-101

Drawing



Technical data

Type of contact	solder
Type of termination	solder
Rated voltage	DC 60 V
Contact resistance	50 mOhm

Material

Contact material	stainless steel
Contact surface material	nickel-plated
Housing material	PVC-P

Environmental conditions

Temperature range	-25 °C to +60 °C
-------------------	------------------

Inflammability class

Housing	94 HB
---------	-------